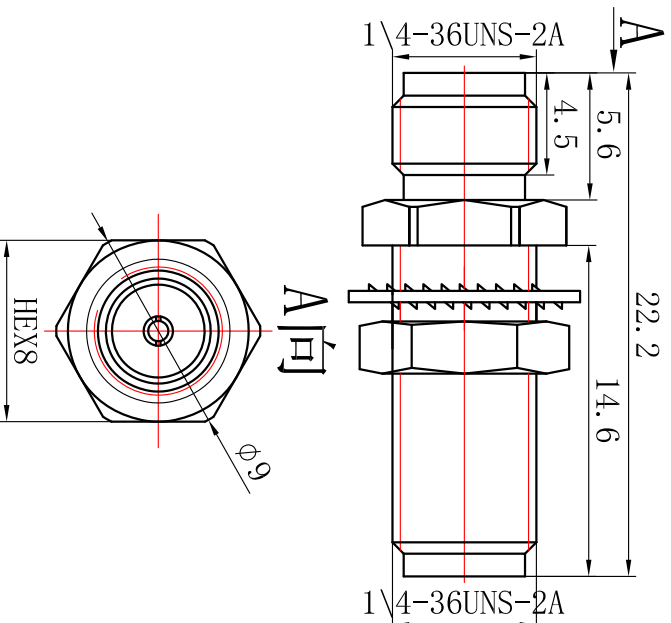


Electrical performance		
Characteristic impedance	50 Ω	
Frequency range	DC to 8 GHz	
Standing wave ratio(VSWR)	≤1.15(DC~8G)	
withstand voltage	≤0.2dB@8G	
working voltage	335 V rms	
Test voltage	1000 V rms	
Insulation resistance	≥5000MΩ	
Center pin contact resistance	≤3mΩ	
Conductor contact resistance	≤2.5mΩ	
Center conductor retention force	≥0.28N	
Intermodulation 3rd order	N/A	
Mechanical and environment		
Temperature range	-40~+155℃	
Salt spray test time	48H	
Airtight	N/A	
durability	≥500 cycles	
Materials		
Connector parts	Material	Plating
Center contact	QBe	Au
Outer contact	brass	Au
Dielectric	PTFE	
Nut	brass	CuSnZn
Gear washer	bronze	CuSnZn

Reversion	Engineering Change Description	Date	Owner
A/0	NEW	2022.06.18	ZXM



CAD GENERATED DRAWING,
DO NOT MANUALLY UPDATE

Any statements in this article shall not be interpreted as suggesting infringement of existing patents. Individual values may vary depending on factors including but not limited to application, design, cable type, assembly, and others workmanship

STANDARD TOLERANCES (unless stated otherwise)			
Geometric tolerances	Positional tolerance	X	.X
		0-6	±0.1 ±0.05
		6-10	±0.1 ±0.05
		10-30	±0.15 ±0.10
ANGLE ±1°	>30	±0.15	±0.10
Scale:	As mention		

Product design	
Design	Drawn
Workmanship	Checked
Approvals	As mention



戴盛通信
Dashing Com-Tek Co., Ltd

TITLE:

SMA-50KKY-2

Drawing No.:

DS3.650.2649