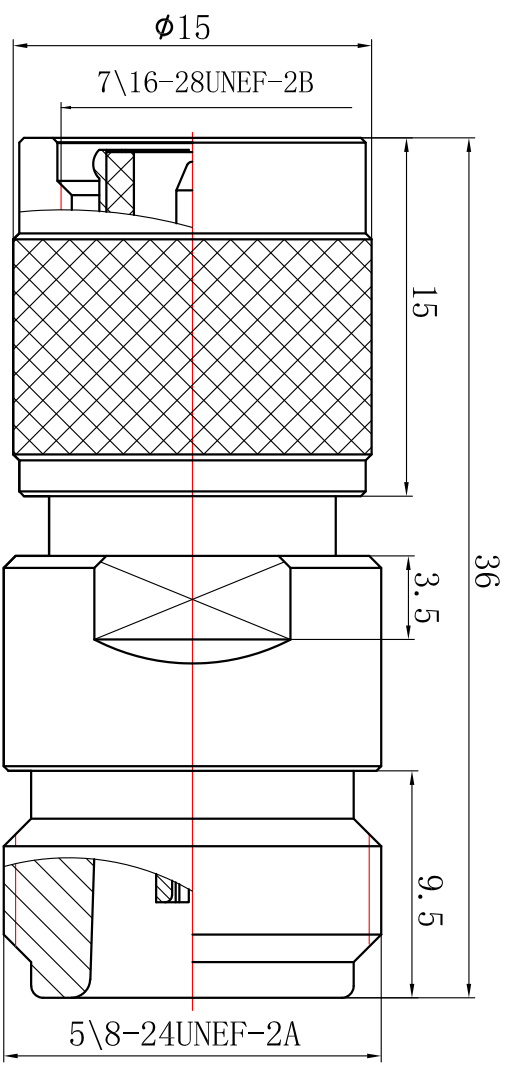


Reversion	Engineering Change Description	Date	Owner
A/0	NEW	2018.11.06	ZXM

Electrical performance	
Characteristic impedance	50 Ω
Frequency range	DC to 8 GHz
Standing wave ratio(VSWR)	≤ 1.2 (DC~8G)
withstand voltage	≤ 0.2 dB@6G
working voltage	500 V rms
Test voltage	1500 V rms
Insulation resistance	$\geq 5000M\Omega$
Center pin contact resistance	$N \leq 1m\Omega$, TNC $\leq 10m\Omega$
Conductor contact resistance	$N \leq 1m\Omega$, TNC $\leq 2.5m\Omega$
Center conductor retention force	$\geq 0.56N$
Intermodulation 3rd order	N/A
Coupling test torque	$\leq 1.7Nm$

Mechanical and environment	
Temperature range	-40~+155°C
Salt spray test time	96H
Airtight	N/A
durability	≥ 500 cycles

Materials		
Connector parts	Material	Plating
Center contact	bronze	Ag
Outer contact	brass	CuSnZn
Dielectric	PTFE	
Connector sleeve	brass	CuSnZn
Sealing ring	Red silicone rubber	



CAD GENERATED DRAWING,
DO NOT MANUALLY UPDATE

STANDARD TOLERANCES (unless stated otherwise)		Product design	
Geometric tolerances	Positional tolerance	Design	
		Drawn	
ANGLE $\pm 1^\circ$	X	Workmanship	
	± 0.1	Checked	
	± 0.15	Approvals	
Scale:	>30	As mention	

Any statements in this article shall not be interpreted as suggesting infringement of existing patents. Individual values may vary depending on factors including but not limited to application, design, cable type, assembly, and others workmanship

TITLE: N\TNC-50KJ

Drawing No.: DS3.650.1794

戴盛通信
Dashing Com-Tek Co., Ltd

Company website: <http://www.dai sheng.net> / Email: ds168@dai sheng.net