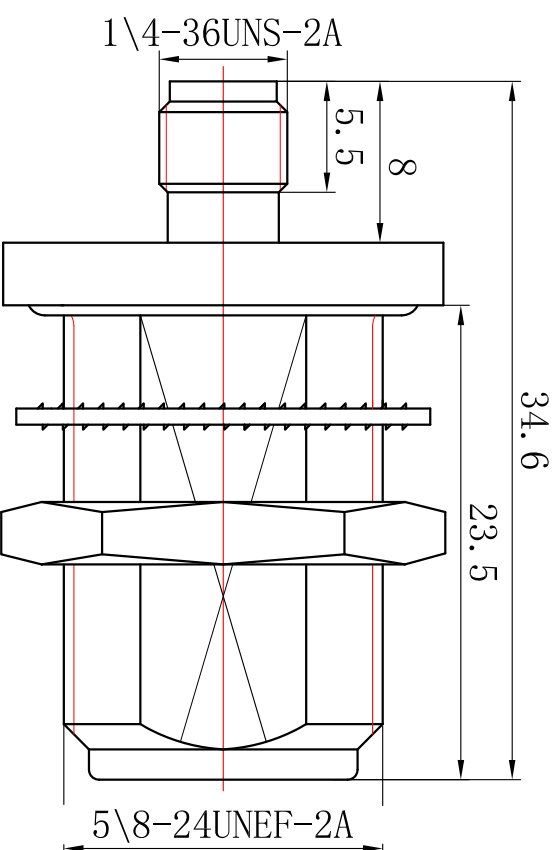



Revision	Engineering Change Description	Date	Owner
A/0	NEW	2023.02.11	ZXM

Electrical performance		
Characteristic impedance	50 Ω	
Frequency range	DC to 18 GHz	
Standing wave ratio (VSWR)	≤ 1.15 (DC~10GHz)	
withstand voltage	$\leq 0.2\text{dB}@6\text{G}$, $\leq 0.35\text{dB}@10\text{G}$	
working voltage	335 V rms	
Test voltage	1000 V rms	
Insulation resistance	$\geq 5000\text{M}\Omega$	
Center pin contact resistance	$\leq 3\text{m}\Omega$	
Conductor contact resistance	$\leq 2.5\text{m}\Omega$	
Center conductor retention force	$\geq 0.28\text{N}$	
Intermodulation 3rd order	N/A	
Mechanical and environment		
Temperature range	-40~+155℃	
Salt spray test time	48H	
Airtight	N/A	
durability	≥ 500 cycles	
Materials		
Connector parts	Material	Plating
Center contact	QBe	Au
Outer contact	SUS304	H. D
Dielectric	PTFE	
Nut	brass	CuSnZn
Sealing ring	Red silicone rubber	
Gear washer	bronze	CuSnZn



CAD GENERATED DRAWING,
DO NOT MANUALLY UPDATE

Any statements in this article shall not be interpreted as suggesting infringement of existing patents. Individual values may vary depending on factors including but not limited to application, design, cable type, assembly, and others workmanship

STANDARD TOLERANCES (Unless stated otherwise)				Product design		TITLE:	
Geometric tolerances	Positional tolerance	X	.X	Design	Workmanship	Checked	Drawing No. : DS3. 650. 2796
		0-6	± 0.1	± 0.05			
		6-10	± 0.1	± 0.05	Approvals		
		10-30	± 0.15	± 0.10	As mention		
		>30	± 0.15	± 0.10			
Scale:							
Company website: http://www.daisheng.net / Email: ds168@daisheng.net				 戴盛通信 Dashing Com-Tek Co., Ltd			