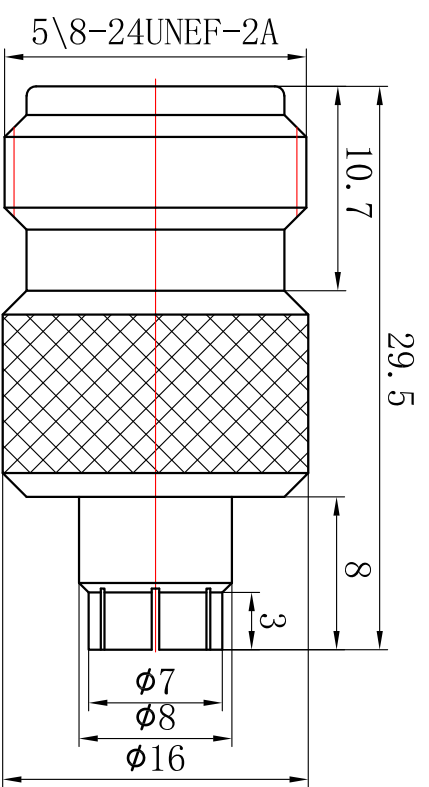


Revision	Engineering Change Description	Date	Owner
A/0	NEW	2011.08.15	ZXM

<b>Electrical performance</b>	
Characteristic impedance	50 Ω
Frequency range	DC to 8 GHz
Standing wave ratio (VSWR)	≤1.15 (DC~8G)
withstand voltage	≤0.2dB@8G
working voltage	500 V rms
Test voltage	1500 V rms
Insulation resistance	≥5000MΩ
Center pin contact resistance	≤3mΩ
Conductor contact resistance	≤2.5mΩ
Center conductor retention force	N/A
Intermodulation 3rd order	N/A

<b>Mechanical and environment</b>	
Temperature range	-40~+155°C
Salt spray test time	96H
Airtight	N/A
durability	≥500 cycles

<b>Materials</b>	
Connector parts	Material Plating
Center contact	bronze Au
Outer contact	brass CuSnZn
Dielectric	PTFE



CAD GENERATED DRAWING,  
DO NOT MANUALLY UPDATE

STANDARD TOLERANCES (Unless stated otherwise)		Product design	
Geometric tolerances	Positional tolerance	Design	
		Drawn	
ANGLE ±1°	Scale:	Workmanship	
		Checked	
		Approvals	
		As mention	

Any statements in this article shall not be interpreted as suggesting infringement of existing patents. Individual values may vary depending on factors including but not limited to application, design, cable type, assembly, and others workmanship

<b>戴盛通信</b> Dashing Com-Tek Co., Ltd		TITLE: N\BMA-50KK	
Drawing No.: DS3.650.484		As mention	

Company website: <http://www.daisheng.net> / Email: [ds168@daisheng.net](mailto:ds168@daisheng.net)