

Reversion	Engineering	Change Description	Date	Owner
A/0		NEW	2019.11.06	ZXM

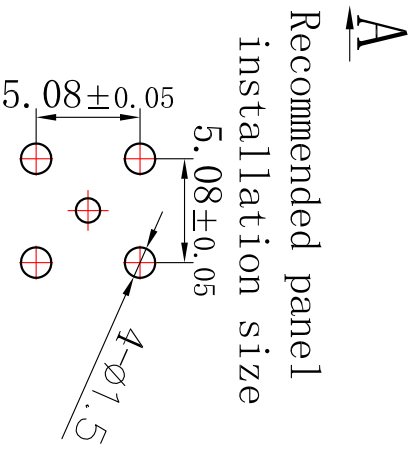
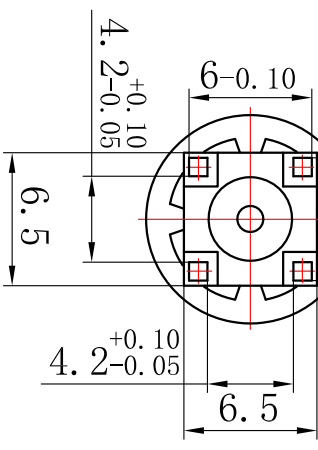
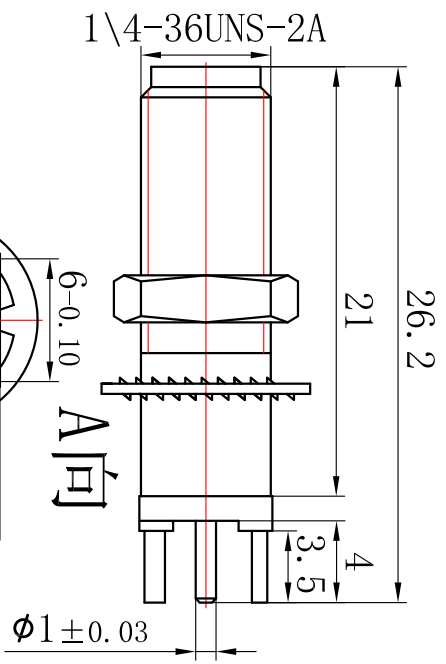
Electrical performance	
Characteristic impedance	50 Ω
Frequency range	DC to 8 GHz
Standing wave ratio(VSWR)	≤1.15 (DC~8GHz)
withstand voltage	≤0.1 x √f (GHz) dB
working voltage	335 V rms
Test voltage	1000 V rms
Insulation resistance	≥5000M Ω
Center pin contact resistance	≤3m Ω
Conductor contact resistance	≤2.5m Ω
Center conductor retention force	≥0.28N
Intermodulation 3rd order	N/A

Mechanical and environment	
Temperature range	-40~+155°C
Salt spray test time	48H
Airtight	N/A
durability	≥500 cycles

Materials		
Connector parts	Material	Plating
Center contact	bronze	Au
Outer contact	brass	Au
Dielectric	PTFE	
Nut	brass	Au
Gear washer	brass	Au

CAD GENERATED DRAWING,
DO NOT MANUALLY UPDATE

Any statements in this article shall not be interpreted as suggesting infringement of existing patents. Individual values may vary depending on factors including but not limited to application, design, cable type, assembly, and others workmanship



STANDARD TOLERANCES (Unless stated otherwise)

Geometric tolerances	Positional tolerance		Design	Product design
	X	.X		
0-6	±0.1	±0.05	Drawn	
6-10	±0.1	±0.05	Workmanship	
10-30	±0.15	±0.10	Checked	
>30	±0.15	±0.10	Approvals	
Scale:			As mension	

戴盛通信
Dashing Com-Tek Co., Ltd

TITLE: SMA-50KYHD-4

Drawing No.: DS3. 650. 2057

Company website: <http://www.dai.sheng.net> / Email: ds168@dai.sheng.net