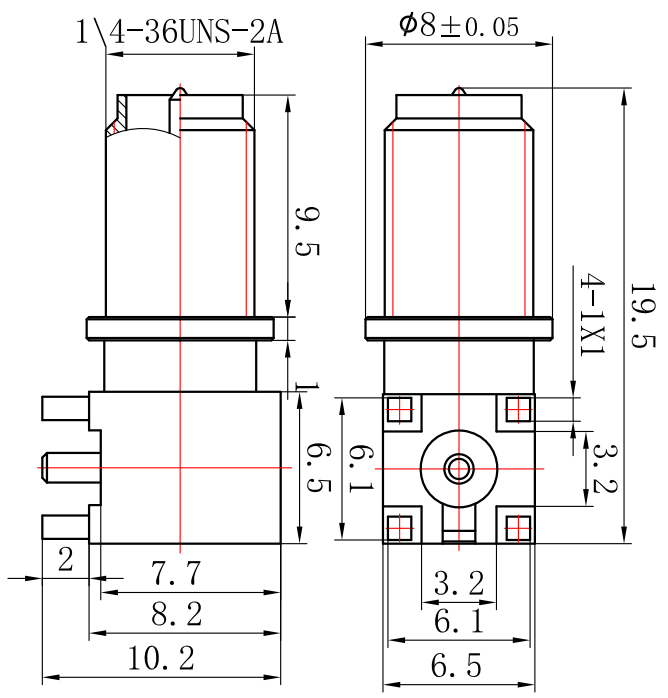


Revision	Engineering Change Description	Date	Owner
A/0	NEW	2018.11.09	ZXM

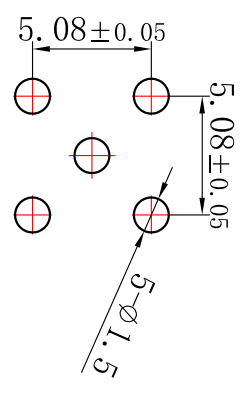
Electrical performance	
Characteristic impedance	50 Ω
Frequency range	DC to 8 GHz
Standing wave ratio (VSWR)	≤ 1.15 (DC~8GHz)
withstand voltage	$\leq 0.1 \times \sqrt{f}$ (GHz) dB
working voltage	335 V rms
Test voltage	1000 V rms
Insulation resistance	$\geq 5000M\Omega$
Center pin contact resistance	$\leq 3m\Omega$
Conductor contact resistance	$\leq 2.5m\Omega$
Center conductor retention force	$\geq 0.28N$
Intermodulation 3rd order	N/A

Mechanical and environment	
Temperature range	-40~+155°C
Salt spray test time	48H
Airtight	N/A
durability	≥ 500 cycles

Materials	
Connector parts	Material Plating
Center contact	brass Au
Outer contact	brass CuSnZn
Dielectric	PTFE
Seal ring	Red silicone rubber
Gear washer	SUS304 H.D



Recommended panel installation size



CAD GENERATED DRAWING,
DO NOT MANUALLY UPDATE

Any statements in this article shall not be interpreted as suggesting infringement of existing patents. Individual values may vary depending on factors including but not limited to application, design, cable type, assembly, and others workmanship

STANDARD TOLERANCES (Unless stated otherwise)				Product design	
Geometric tolerances	Positional tolerance	X		Design	Drawn
			.X	Workmanship	Checked
0-6	± 0.1	± 0.05	± 0.05	As mention	
6-10	± 0.1	± 0.05	± 0.05		
10-30	± 0.15	± 0.10	± 0.10		
>30	± 0.15	± 0.10	± 0.10		
Scale:					

戴盛通信
Dashing Com-Tek Co., Ltd

TITLE:
RPSMA-50KWH-5

Drawing No.:
DS3.650.1799

Company website: <http://www.daisheng.net> / Email: ds168@daisheng.net