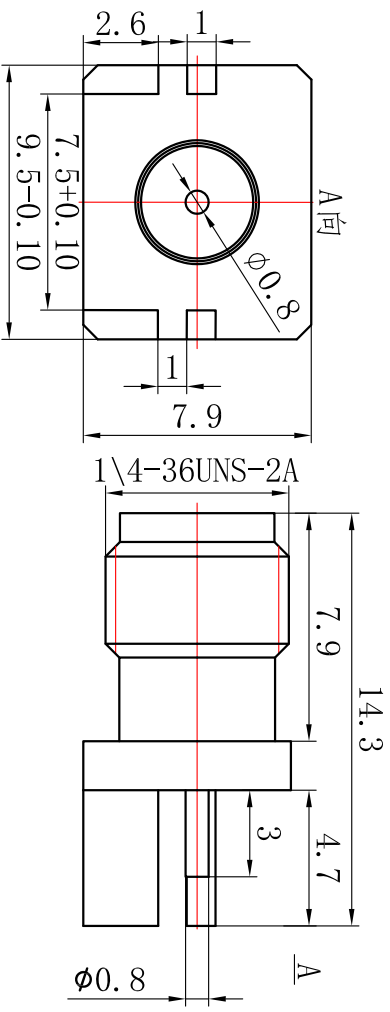


Revision	Engineering Change Description	Date	Owner
A/0	NEW	2021.05.14	ZXM


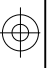

Electrical performance	
Characteristic impedance	50 Ω
Frequency range	DC to 8 GHz
Standing wave ratio(VSWR)	≤1.2(DC~8GHz)
withstand voltage	≤0.1 x √f(GHz) dB
working voltage	335 V rms
Test voltage	1000 V rms
Insulation resistance	≥5000MΩ
Center pin contact resistance	≤3mΩ
Conductor contact resistance	≤2.5mΩ
Center conductor retention force	≥0.28N
Intermodulation 3rd order	N/A
Mechanical and environment	
Temperature range	-40~+155℃
Salt spray test time	48H
Airtight	N/A
durability	≥500 cycles

Materials		
Connector parts	Material	Plating
Center contact	QBe	Au
Outer contact	brass	Au
Dielectric	PTFE	



CAD GENERATED DRAWING,
DO NOT MANUALLY UPDATE

Any statements in this article shall not be interpreted as suggesting infringement of existing patents. Individual values may vary depending on factors including but not limited to application, design, cable type, assembly, and others workmanship

STANDARD TOLERANCES (Unless stated otherwise)		Product design	
Positional tolerance		Design	
Geometric tolerances		Drawn	
ANGLE ±1°		Workmanship	
Scale:		Checked	
		Approvals	
		As mention	
		 	
		 戴盛通信 Dashing Com-Tek Co., Ltd	
		TITLE: SMA-50KHDI1A	
		Drawing No.: DS3.650.2399	
Company website: http://www.daisheng.net / Email: ds168@daisheng.net			