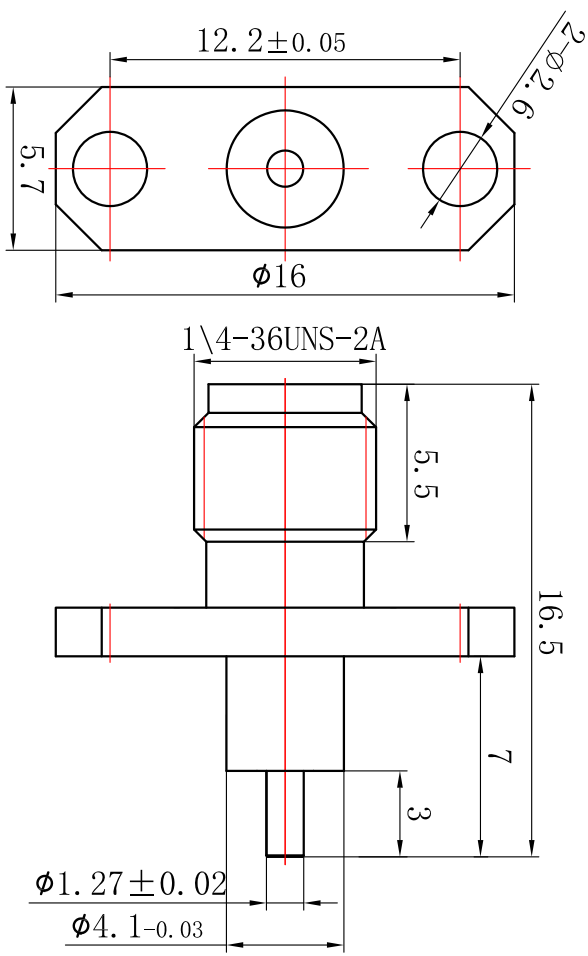



Reversion	Engineering Change Description	Date	Owner
A/0	NEW	2010.06.30	ZXM

Electrical performance		
Characteristic impedance	50 Ω	
Frequency range	DC to 8 GHz	
Standing wave ratio(VSWR)	≤1.2 (DC~8GHz)	
withstand voltage	≤0.1 x √f (GHz) dB	
working voltage	335 V rms	
Test voltage	1000 V rms	
Insulation resistance	≥5000M Ω	
Center pin contact resistance	≤3m Ω	
Conductor contact resistance	≤2.5m Ω	
Center conductor retention force	≥0.28N	
Intermodulation 3rd order	N/A	
Mechanical and environment		
Temperature range	-40~+155°C	
Salt spray test time	48H	
Airtight	N/A	
durability	≥500 cycles	
Materials		
Connector parts	Material	Plating
Center contact	bronze	Ag
Outer contact	brass	Au
Dielectric	PTFE	



CAD GENERATED DRAWING,
DO NOT MANUALLY UPDATE

Any statements in this article shall not be interpreted as suggesting infringement of existing patents. Individual values may vary depending on factors including but not limited to application, design, cable type, assembly, and others workmanship

STANDARD TOLERANCES (Unless stated otherwise)		Product design		 戴盛通信 Dashing Com-Tek Co., Ltd
Geometric tolerances	Positional tolerance	Design	Drawn	
		Workmanship	Checked	
		Approvals	As mension	
ANGLE ±1°	X	.X		
Scale:				
Company website: http://www.daiheng.net / Email: ds168@daiheng.net		TITLE: SMA-50KFDa-4-3		
		Drawing No.: DS3. 650. 139		