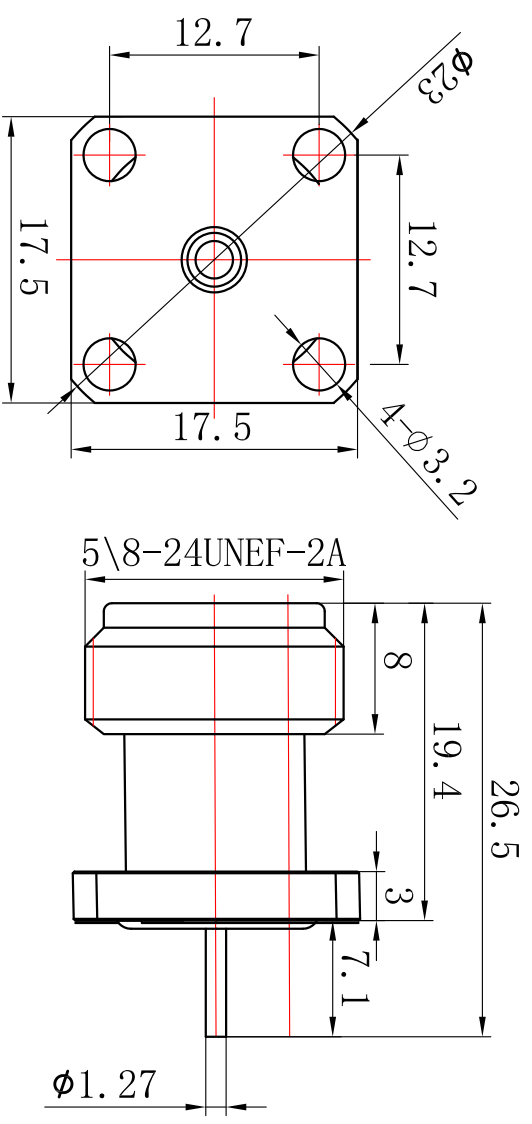


Reversion	Engineering Change Description	Date	Owner
A/0	NEW	2018.06.28	ZXM

<b>Electrical performance</b>	
Characteristic impedance	50 Ω
Frequency range	DC to 6 GHz
Standing wave ratio(VSWR)	≤1.15 (DC~6GHz)
withstand voltage	≤0.1 x √f(GHz) dB
working voltage	1000 V rms
Test voltage	2500 V rms
Insulation resistance	≥5000M Ω
Center pin contact resistance	≤1m Ω
Conductor contact resistance	≤1m Ω
Center conductor retention force	≥0.56N
Intermodulation 3rd order	N/A

<b>Mechanical and environment</b>	
Temperature range	-40~+85°C
Salt spray test time	96H
Airtight	N/A
durability	≥500 cycles

<b>Materials</b>		
Connector parts	Material	Plating
Center contact	bronze	Ag
Outer contact	brass	CuSnZn
Dielectric	PTFE	
Seal ring	Red silicone rubber	



CAD GENERATED DRAWING,  
DO NOT MANUALLY UPDATE

STANDARD TOLERANCES (Unless stated otherwise)

Product design

Geometric tolerances	Positional tolerance		Design
	X	.X	

0-6	±0.1	±0.05	Drawn
6-10	±0.1	±0.05	Workmanship
10-30	±0.15	±0.10	Checked
>30	±0.15	±0.10	Approvals

**Dashing** 戴盛通信  
Dashing Com-Tek Co., Ltd

TITLE:  
N-50KFD-36

Drawing No.:  
DS3.650.1869

Any statements in this article shall not be interpreted as suggesting infringement of existing patents. Individual values may vary depending on factors including but not limited to application, design, cable type, assembly, and others workmanship

Company website: <http://www.dai.sheng.net> / Email: [ds168@dai.sheng.net](mailto:ds168@dai.sheng.net)