

Electrical performance

Characteristic impedance	50 Ω
Frequency range	DC to 6 GHz
Standing wave ratio (VSWR)	≤ 1.2 (DC~6GHz)
withstand voltage	$\leq 0.1 \times \sqrt{f}$ (GHz) dB
working voltage	335 V rms
Test voltage	1000 V rms
Insulation resistance	$\geq 5000M\Omega$
Center pin contact resistance	$\leq 3m\Omega$
Conductor contact resistance	$\leq 2.5m\Omega$
Center conductor retention force	$\geq 0.28N$
Intermodulation 3rd order	N/A

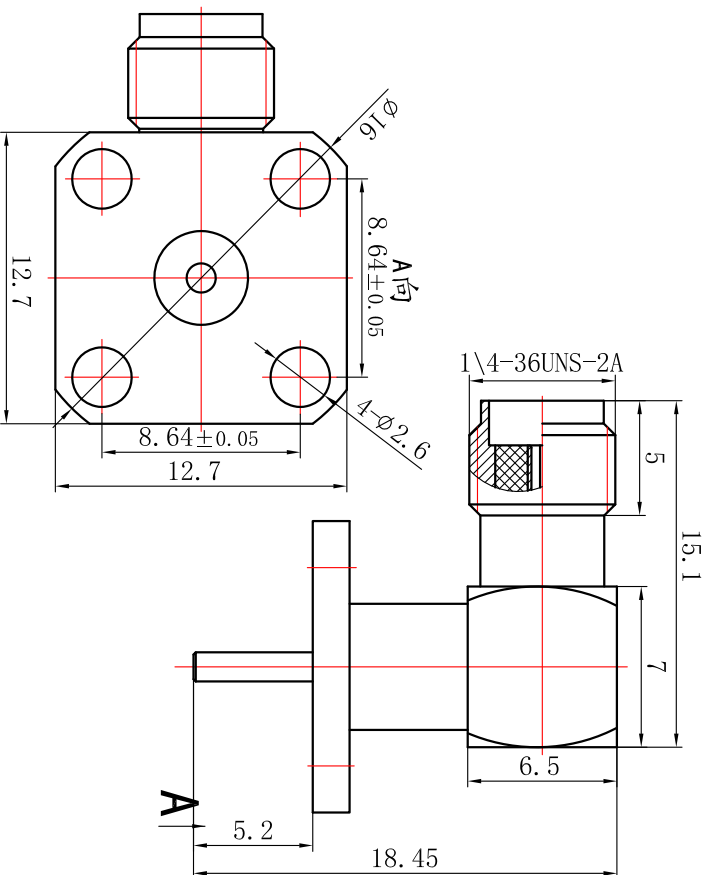
Mechanical and environment

Temperature range	-40~+155°C
Salt spray test time	48H
Airtight	N/A
durability	≥ 500 cycles

Materials

Connector parts	Material	Plating
Center contact	QBe	Au
Outer contact	brass	Au
Dielectric	PTFE	

Revision	Engineering Change Description	Date	Owner
A/0	NEW	2015.06.28	ZXM



CAD GENERATED DRAWING,
DO NOT MANUALLY UPDATE

Any statements in this article shall not be interpreted as suggesting infringement of existing patents. Individual values may vary depending on factors including but not limited to application, design, cable type, assembly, and others workmanship

STANDARD TOLERANCES (Unless stated otherwise)

Geometric tolerances	Positional tolerance	
	X	.X
0-6	±0.1	±0.05
6-10	±0.1	±0.05
10-30	±0.15	±0.10
>30	±0.15	±0.10

Product design

Design	
Drawn	
Workmanship	
Checked	
Approvals	
As mension	



TITLE:

SMA-50KWFD-5.2

Drawing No.:

DS3.650.1187

Company website: <http://www.daisheng.net> / Email: ds168@daisheng.net