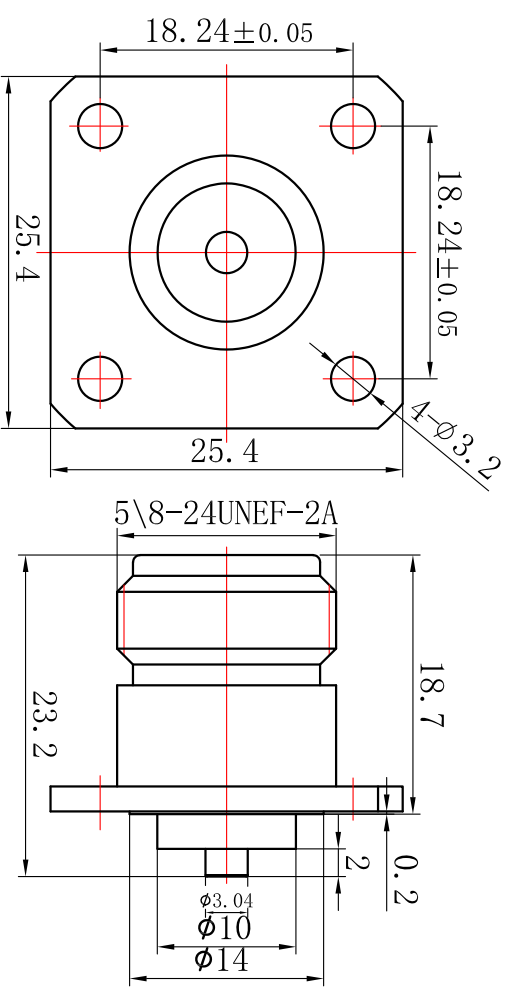


Revision	Engineering Change Description	Date	Owner
A/0	NEW	2012.03.12	ZXM

Electrical performance	
Characteristic impedance	50 Ω
Frequency range	DC to 6 GHz
Standing wave ratio(VSWR)	≤ 1.15 (DC~6GHz)
withstand voltage	$\leq 0.1 \times \sqrt{f}$ (GHz) dB
working voltage	1000 V rms
Test voltage	2500 V rms
Insulation resistance	$\geq 5000M\Omega$
Center pin contact resistance	$\leq 1m\Omega$
Conductor contact resistance	$\leq 1m\Omega$
Center conductor retention force	$\geq 0.56N$
Intermodulation 3rd order	N/A
Mechanical and environment	
Temperature range	-40~+85°C
Salt spray test time	96H
Airtight	N/A
durability	≥ 500 cycles
Materials	
Connector parts	Material Plating
Center contact	bronze Ag
Outer contact	brass CuSnZn
Dielectric	PTFE
Seal ring	Red silicone rubber



STANDARD TOLERANCES (unless stated otherwise)		Product design	
Geometric tolerances	Positional tolerance	X	.X
		0-6	± 0.1
		6-10	± 0.1
ANGLE $\pm 1^\circ$	10-30	± 0.15	± 0.10
	>30	± 0.15	± 0.10
Scale:		As mension	
CAD GENERATED DRAWING, DO NOT MANUALLY UPDATE		Design	
Any statements in this article shall not be interpreted as suggesting infringement of existing patents. Individual values may vary depending on factors including but not limited to application, design, cable type, assembly, and others workmanship		Drawn	
		Workmanship	
		Checked	
		Approvals	
		As mension	
		戴盛通信 Dashing Com-Tek Co., Ltd	
		TITLE: N-50KFD-2.5-2 Drawing No.: DS3.650.307	
		Company website: http://www.daisheng.net / Email: ds168@daisheng.net	