

Electrical performance

Characteristic impedance	50 Ω
Frequency range	DC to 8 GHz
Standing wave ratio(VSWR)	≤1.12(DC~8GHz)
withstand voltage	≤0.1 x √f(GHz) dB
working voltage	250 V rms
Test voltage	750 V rms
Insulation resistance	≥1000M Ω
Center pin contact resistance	≤5m Ω
Conductor contact resistance	≤2.5m Ω
Engagement force	≤20N
Disengagement force	≥8N
Intermodulation 3rd order	N/A

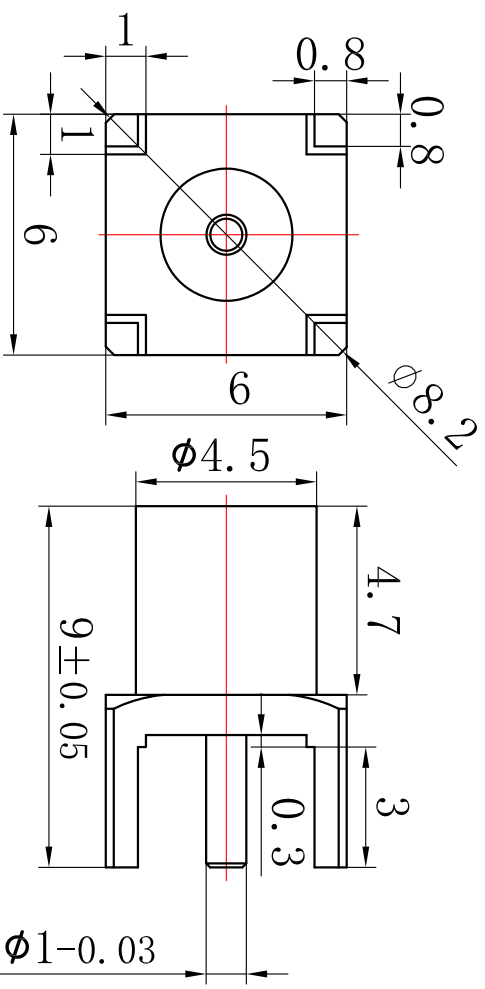
Mechanical and environment

Temperature range	-40~+85°C
Salt spray test time	48H
Airtight	N/A
durability	≥500 cycles

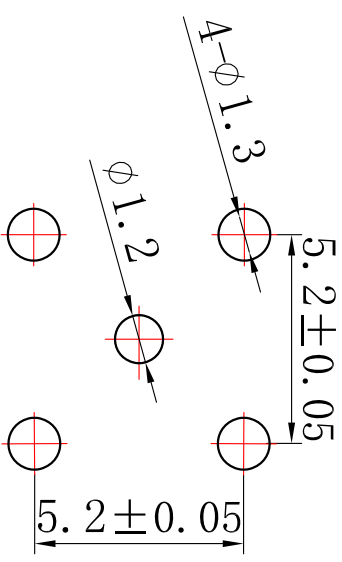
Materials

Connector parts	Material	Plating
Center contact	QBe	Au
Outer contact	brass	Au
Dielectric	PTFE	

Reversion	Engineering	Change Description	Date	Owner
A/0	NEW		2015.06.05	ZXM



Suggested panel installation size



STANDARD TOLERANCES (Unless stated otherwise)

Geometric tolerances	Positional tolerance		Design	Product design
	X	.X		
ANGLE ±1°	0-6	±0.05	Drawn	
	6-10	±0.1	Workmanship	
	10-30	±0.15	Checked	
Scale:	>30	±0.15	Approvals	
		±0.10	As mension	

CAD GENERATED DRAWING,
DO NOT MANUALLY UPDATE

Any statements in this article shall not be interpreted as suggesting infringement of existing patents. Individual values may vary depending on factors including but not limited to application, design, cable type, assembly, and others workmanship



戴盛通信
Dashing Com-Tek Co., Ltd

TITLE: MCX-50KH4
Drawing No.: DS3.650.508