

Revision	Engineering Change Description	Date	Owner
A/0	NEW	2021.03.20	ZXM

Electrical performance

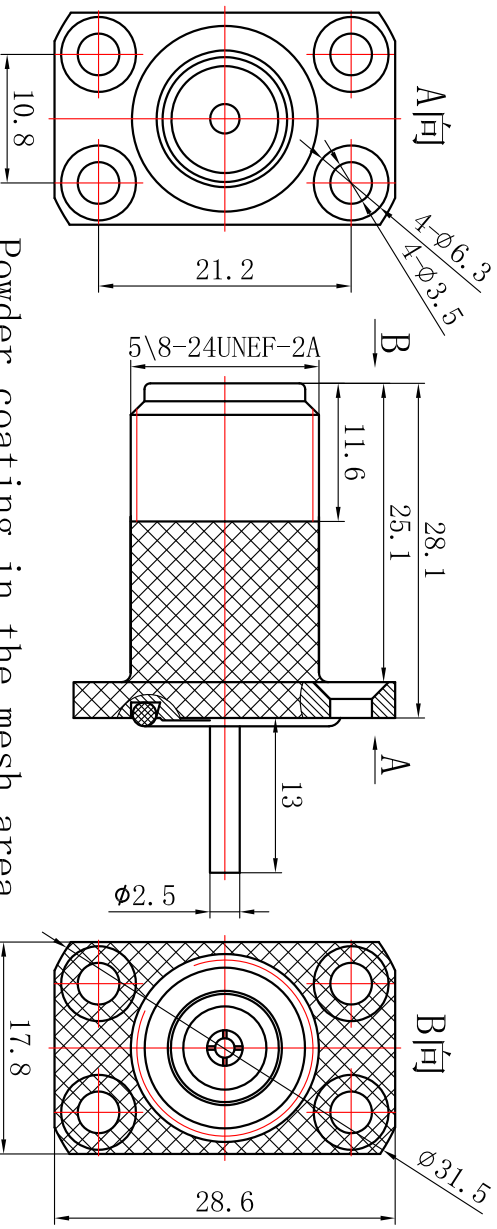
Characteristic impedance	50 Ω
Frequency range	DC to 8 GHz
Standing wave ratio (VSWR)	≤ 1.2 (DC~8GHz)
withstand voltage	$\leq 0.1 \times \sqrt{f}$ (GHz) dB
working voltage	1000 V rms
Test voltage	2500 V rms
Insulation resistance	$\geq 5000M\Omega$
Center pin contact resistance	$\leq 1m\Omega$
Conductor contact resistance	$\leq 1m\Omega$
Center conductor retention force	$\geq 0.56N$
Intermodulation 3rd order	$\leq -163dBc@2\times 43dBm$

Mechanical and environment

Temperature range	-40~+85℃
Salt spray test time	96H
Airtight	IP67
durability	≥ 500 cycles

Materials

Connector parts	Material	Plating
Center contact	bronze	Ag
Outer contact	brass	CuSnZn3+dusting
Dielectric	PTFE	
Seal ring	Red silicone rubber	



Powder coating in the mesh area
ZX-WP02X03

CAD GENERATED DRAWING,
DO NOT MANUALLY UPDATE

STANDARD TOLERANCES (Unless stated otherwise)

Geometric tolerances	Positional tolerance		Design	Product design
	X	.X		
0-6	± 0.1	± 0.05	Design	
6-10	± 0.1	± 0.05	Drawn	
10-30	± 0.15	± 0.10	Workmanship	
>30	± 0.15	± 0.10	Checked	
ANGLE $\pm 1^\circ$			Approvals	
Scale:			As mension	

Any statements in this article shall not be interpreted as suggesting infringement of existing patents. Individual values may vary depending on factors including but not limited to application, design, cable type, assembly, and others workmanship



戴盛通信
Dashing Com-Tek Co., Ltd

TITLE:
N-M-50KFD-13

Drawing No. :
DS3. 650. 2367

Company website: <http://www.daisheng.net> / Email: ds168@daisheng.net